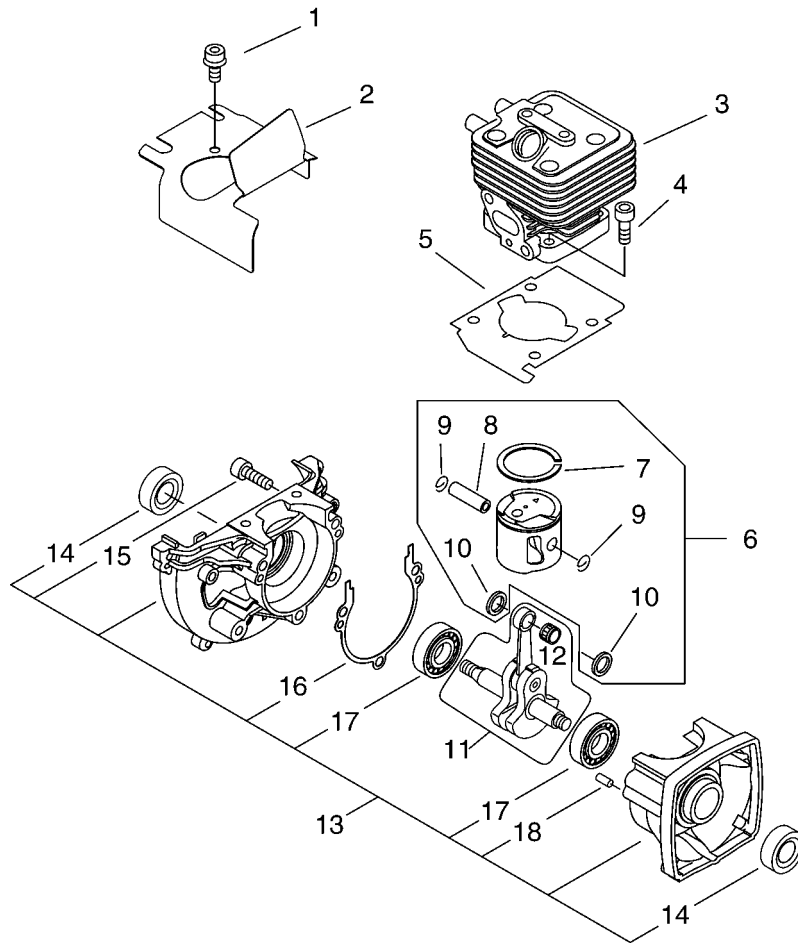


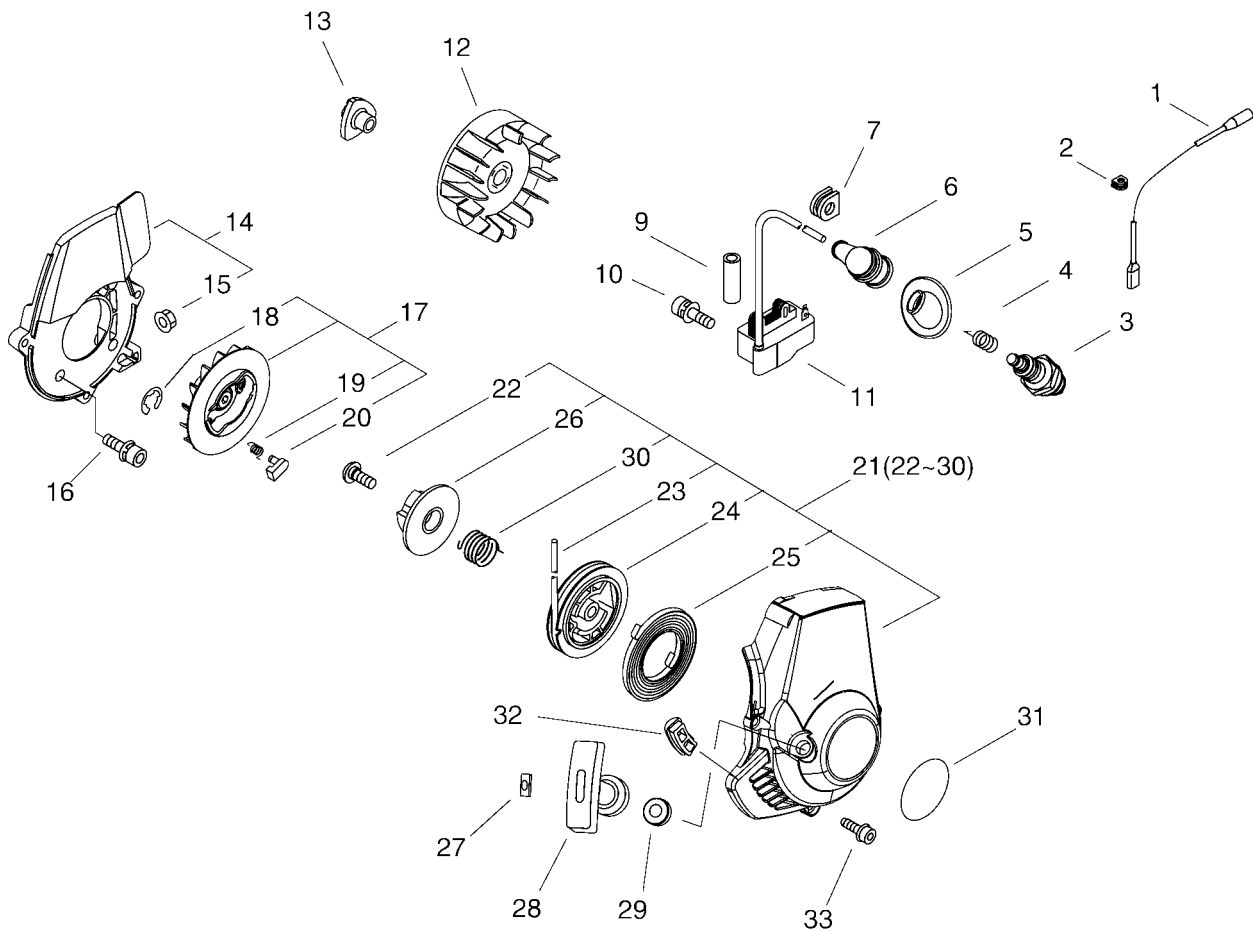
ECHO®



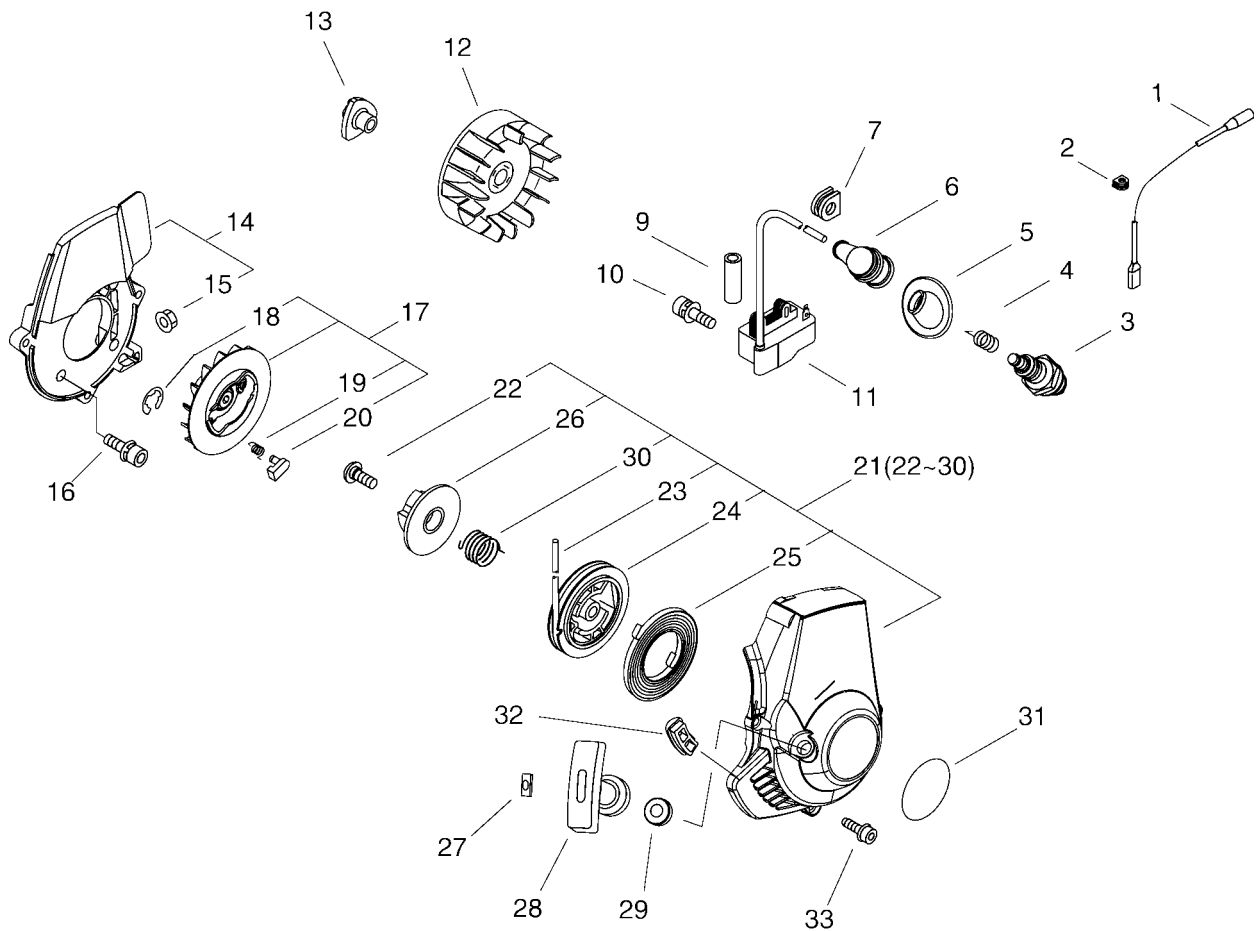
ES-255 ES



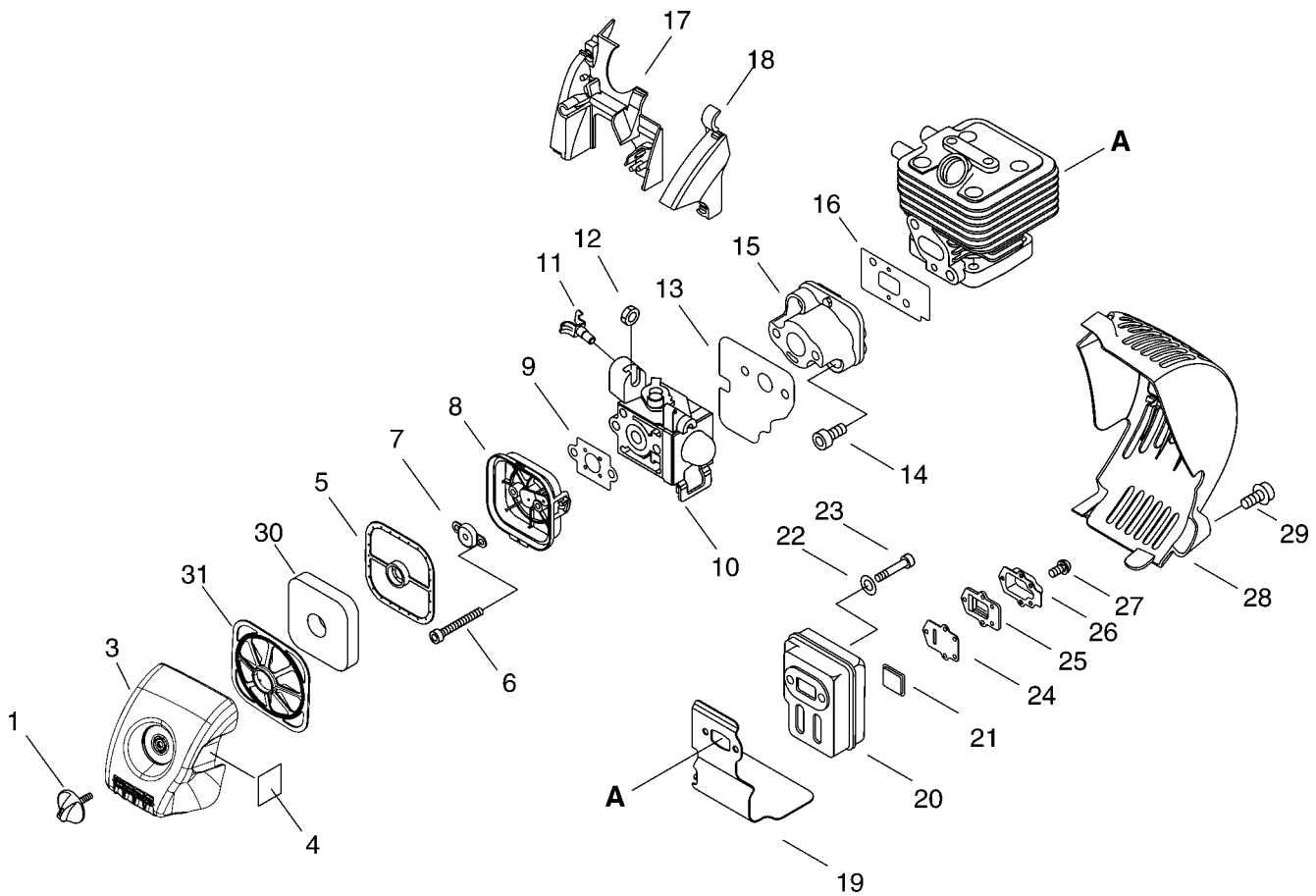
KEY	LV	PART NUMBER	Q'TY	DESCRIPTION	REMARKS
1		900106-05008	2	BOLT, H.S. 5* 8	
2		A160-000821	1	COVER,CYLINDER	
3		A130-000780	1	CYLINDER	
4		900162-05025	4	BOLT, H.S. 5*25	
5		V100-000190	1	GASKET,CYL	
6		P021-010260	1	PISTON KIT	
7	+	A101-000140	1	RING, PISTON	
8	+	V606-000000	1	PIN,ENG 8	
9	+	100015-04630	2	CIRCLIP, PISTON PIN	
10	+	100014-11520	2	SPACER, PISTON PIN	
11		A011-000371		CRANKSHAFT,ASM	
12	+	V553-000010	1	BEARING,NEEDLE 8	
13		P021-008231	1	CRANKCASE KIT	
14	+	100212-42031	2	OILSEAL	
15	+	900162-05028	3	BOLT, H.S. 5*28	
16	+	100242-42030	1	GASKET, CRANKCASE	
17	+	94035-36201	2	BEARING BALL	
18	+	100215-03930	2	PIN, DOWEL	



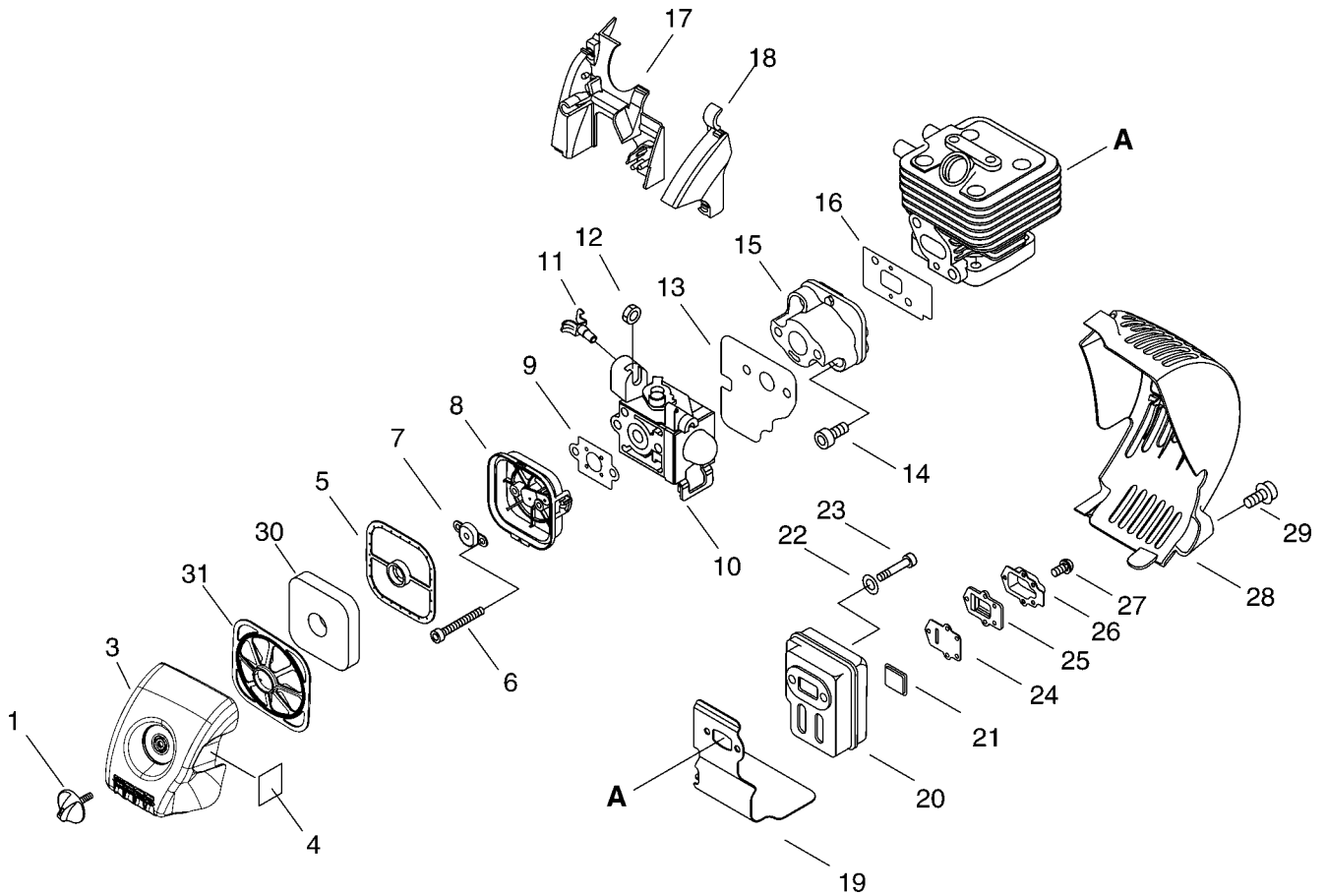
KEY	LV	PART NUMBER	Q'TY	DESCRIPTION	REMARKS
1		V485-000960	1	LEAD	
2		152115-05530	1	BUSHING	
3		A425-000000	1	SPARKPLUG	
4		A426-000010	1	TERMINAL, SPARKPLUG	
5		A429-000010	1	COVER, CAP	
6		A427-000012	1	CAP, SPARK PLUG	
7		156110-04920	1	BUSHING	
9		V475-003380	1	TUBE	
10		91113-04020	2	BOLT	
11		A411-000290	1	COIL, IGNITION	
12		A409-000210	1	ROTOR, MAGNETO	
13		E101-000071	1	HUB, FAN	
14		P021-013780	1	SPACER	
15	+	V263-000070	1	NUT, 5	
16	+	900163-04016	4	BOLT HSH	
17		A052-000200	1	PULLEY, ASM STARTER	
18	+	P022-002100	2	E-RING	
19	+	177234-12220	2	SPRING, PAWL	
20	+	P022-006850	2	PAWL, STARTER	
21		A051-001180	1	STARTER, RECOIL ASY	
22	+	177236-61830	1	SCREW	
23	+	P022-008260	1	ROPE	
24	+	P022-006830	1	DRUM	
25	+	177220-42030	1	SPRING, REWIND	



KEY	LV	PART NUMBER	Q'TY	DESCRIPTION	REMARKS
26	+	P022-008280	1	PLATE, CAM	
27	+	177246-11120	1	CLIP, STARTER ROPE	
28	+	177228-27030	1	GRIP, STARTER	
29	+	177227-42030	1	GUIDE, ROPE	
30	+	P022-008270	1	SPRING, DAMPER	
31		X502-000330	1	LABEL, ECHO	
32		V420-001440	1	CUSHION	
33		900106-05014	3	BOLT, H.S. 5*14	

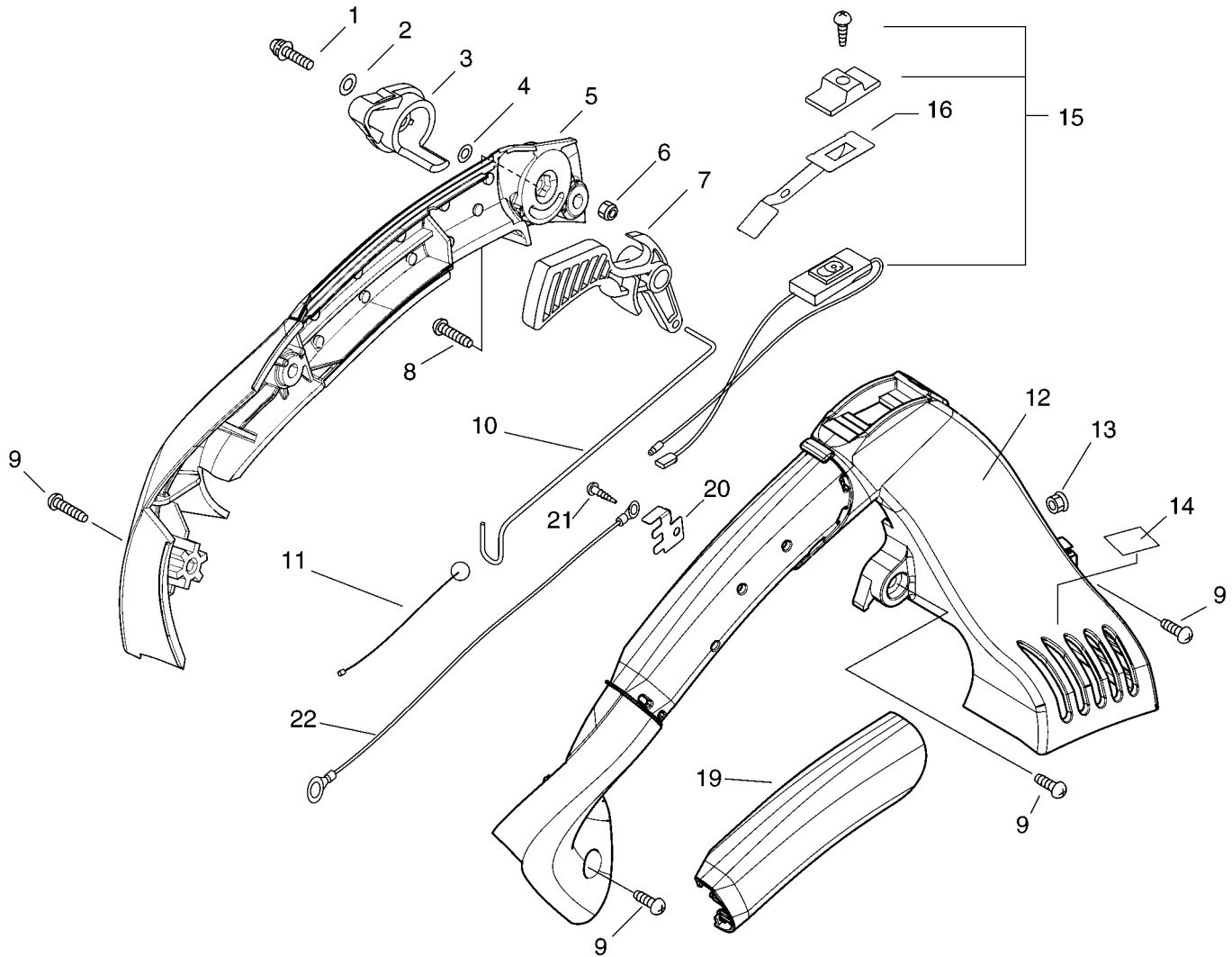


KEY	LV	PART NUMBER	Q'TY	DESCRIPTION	REMARKS
1		V299-000250	1	KNOB,FASTENER	
3		A232-000440	1	LID,CLEANER	
4		X506-000090	1	LABEL,CHOKE	
5		A226-000350	1	ELEMENT, AIR FILTER	
6		900105-05060	2	BOLT, H.S. 5*60	
7		A244-000070	1	PLATE,PREVENT	
8		P021-010980	1	CLEANER CASE ASY	
9		130016-42031	1	GASKET, INTAKE	
10		A021-001350	1	CARBURETOR,DIAPHRAGM	
11		C480-000070	1	GUIDE, CABLE	
12		V264-000050	1	NUT,6	
13		V103-000400	1	GASKET,INTAKE	
14		900162-05025	2	BOLT, H.S. 5*25	
15		A200-000280	1	INSULATOR, INTAKE	
16		V103-000390	1	GASKET,INTAKE	
17		A160-000830	1	COVER,CYLINDER	
18		C459-000010	1	COVER,THROTTLE	
19		V104-000820	1	GASKET,EXHAUST	
20		A300-000141	1	MUFFLER,EXHAUST	
21		A310-000070	1	SCREEN, ARRESTOR	
22		900603-00005	2	WASHER 5	
23		V203-000190	2	BOLT,5	
24		V104-000830	1	GASKET,EXHAUST	
25		A313-000910	1	GUIDE, EXHAUST	

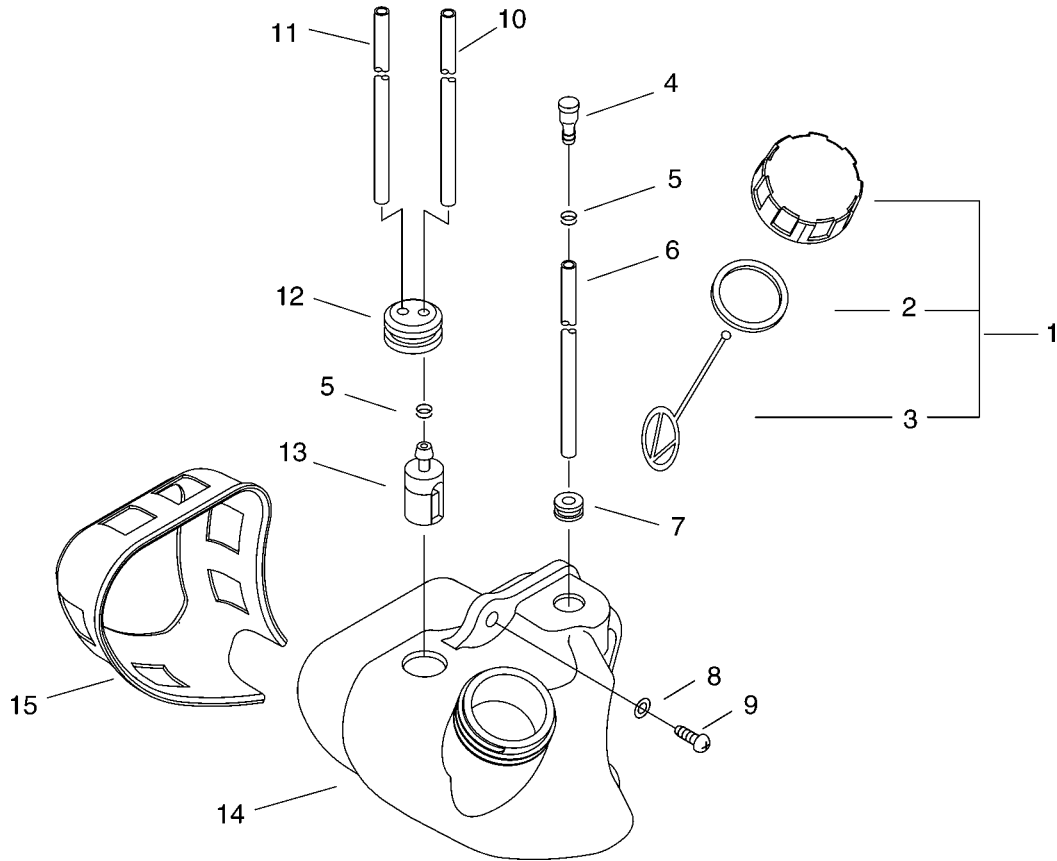


KEY	LV	PART NUMBER	Q'TY	DESCRIPTION	REMARKS
26		A313-000920	1	GUIDE, EXHAUST	
27		91367-04010	5	SCREW	
28		P021-011200	1	COVER, MUFFLER KIT	
29		900106-05014	2	BOLT, H.S. 5*14	
30		A226-000370	1	ELEMENT, AIR FILTER	
31		A227-000000	1	PLATE, ELEMENT	

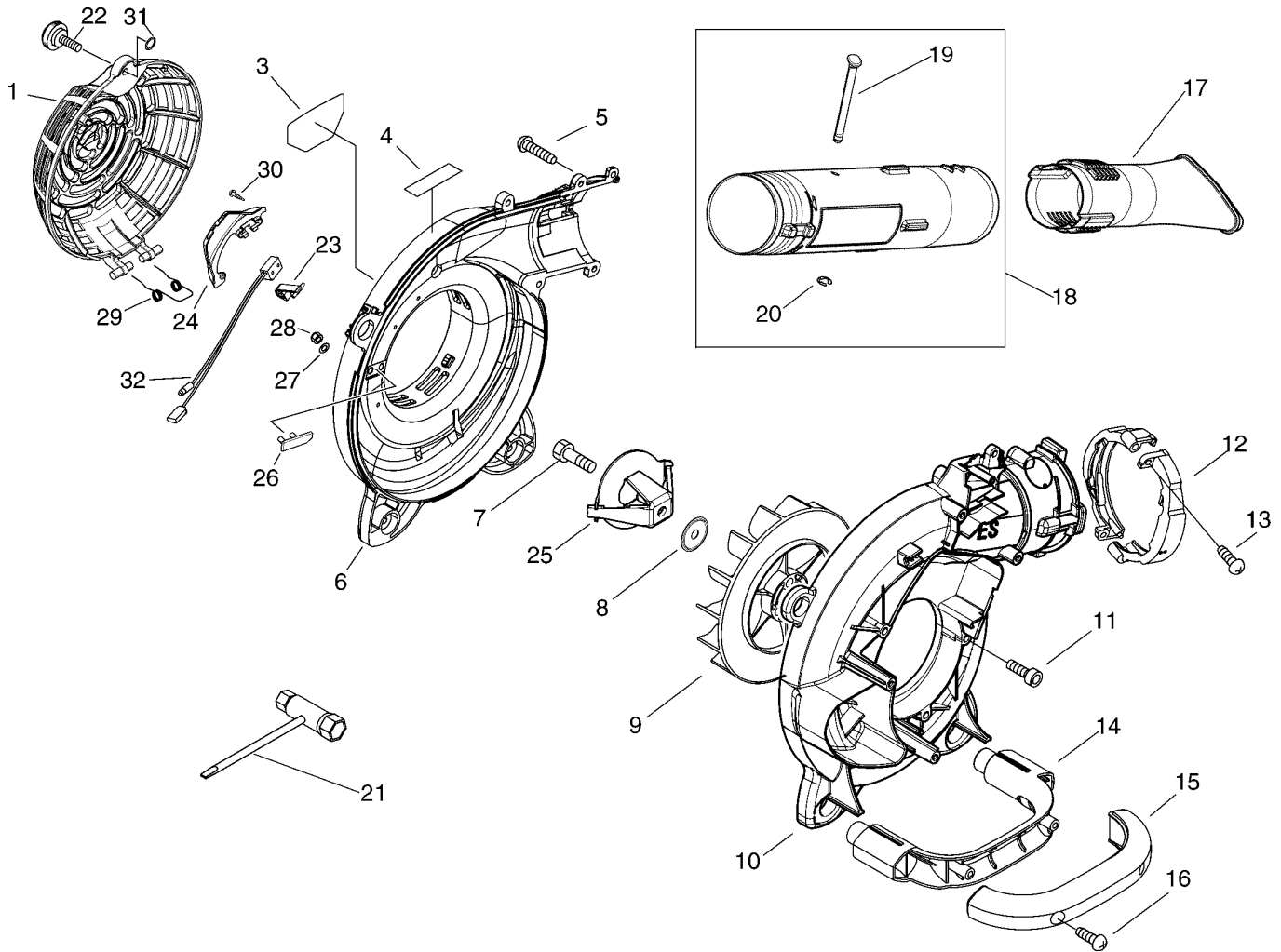
ES-255ES 4 Handle



KEY	LV	PART NUMBER	Q'TY	DESCRIPTION	REMARKS
1		900238-05025	1	SCREW 5*25	
2		900602-00005	1	WASHER 5	
3		C453-000260	1	LEVER, THROTTLE	
4		900603-00005	1	WASHER 5	
5		C411-000020	1	LID, HANDLE	
6		900562-50005	1	LOCKNUT 5	
7		C450-000241	1	CONTROL, THROTTLE	
8		900253-05025	1	SCREW 5*25	
9		900253-05020	4	SCREW 5*20	
10		C454-000130	1	ROD, THROTTLE	
11		V431-000000	1	CABLE, INNER	
12		C400-000490	1	HANDLE, FRONT	
13		V263-000070	1	NUT, 5	
14		X505-002310	1	LABEL, CAUTION	
15		A440-001010	1	SWITCH, ON OFF	
16		V486-000110	1	TERMINAL, LEAD	
19		C412-000150	1	GRIP, HANDLE	
20		V486-000120	1	TERMINAL, LEAD	
21		900253-04010	1	SCREW 4*10	
22		V485-000370	1	LEAD	



KEY	LV	PART NUMBER	Q'TY	DESCRIPTION	REMARKS
1		131004-55530	1	CAP ASSY, FUEL TANK	
2	+	131016-55830	1	GASKET, FUEL CAP	
3	+	131051-56030	1	CLIP, FUEL CAP	
4		A356-000030	1	VALVE,CHECK	
5		132013-09820	2	CLIP	
6		V471-001220	1	PIPE	
7		132115-01461	1	GROMMET	
8		900603-00005	2	WASHER 5	
9		900253-05020	2	SCREW 5*20	
10		V471-001860	1	PIPE	
11		132010-49730	1	PIPE 3*6*85	
12		132115-44330	1	GROMMET	
13		131205-07320	1	STRAINER, FUEL	
14		A350-000550	1	TANK, FUEL	
15		V420-001430	1	CUSHION	

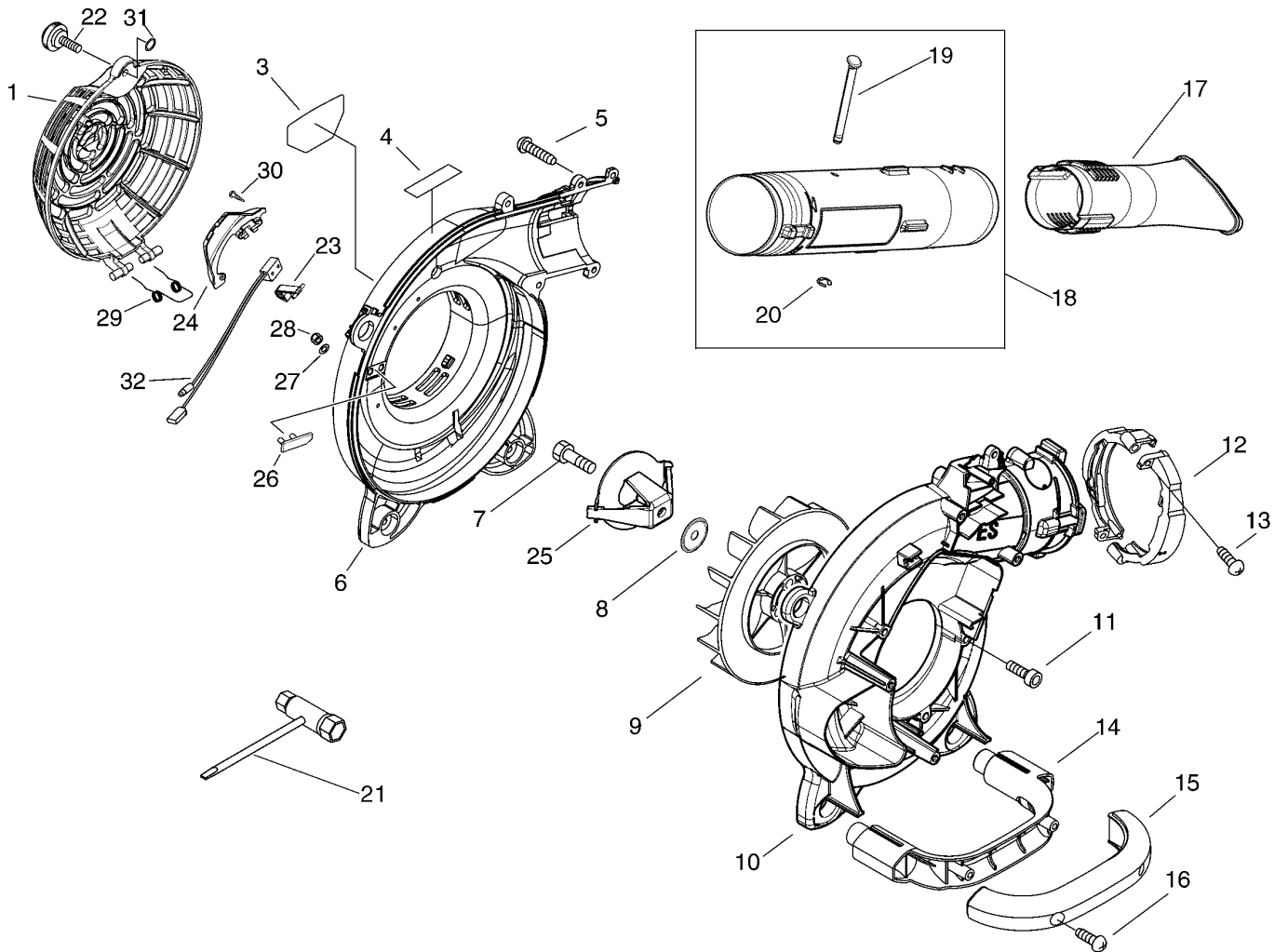


KEY	LV	PART NUMBER	Q'TY	DESCRIPTION	REMARKS
1		E104-000090	1	GRID, BLOWER	
3		X547-000870	1	LABEL,ECHO	
4		X505-002080	1	LABEL,CAUTION	
5		900253-05020	7	SCREW 5*20	
6		E103-000490	1	CASE,FAN	
7		900105-08015	1	BOLT, H.S. 8*15	
8		100143-19830	1	WASHER	
9		E100-000063	1	FAN,BLOWER	
10		E103-000500	1	CASE,FAN	
11		900162-04020	4	BOLT, H.S. 4*20	
12		E162-000000	2	FIXTURE, BLOW PIPE	
13		900253-05020	2	SCREW 5*20	
14		C410-000390	1	HANDLE, REAR	
15		C410-000400	1	HANDLE, REAR	
16		900253-05020	2	SCREW 5*20	
17		E165-000190	1	PIPE,BLOWER	
18		E165-000210	1	PIPE,BLOWER	
19	+	E178-000050	1	GUARD,PIPE	
20	+	V583-000080	1	RING	
21		895410-06960	1	WRENCH, W/S-DRIVER	
22		V299-000290	1	KNOB,FASTENER	
23		A446-000000	1	LEVER, ACTUATOR	
24		A473-000020	1	LID,SWITCH CASE	
25		X413-000030	1	CUTTER,SHREDDER	

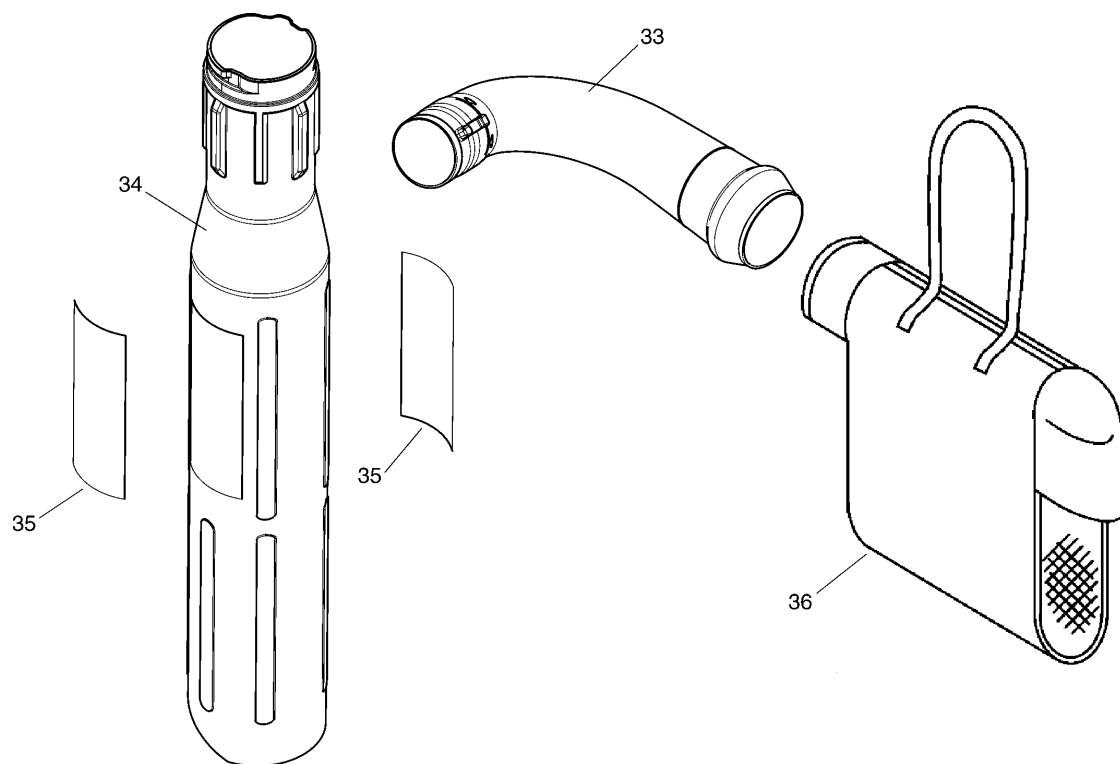
ES-255ES

6

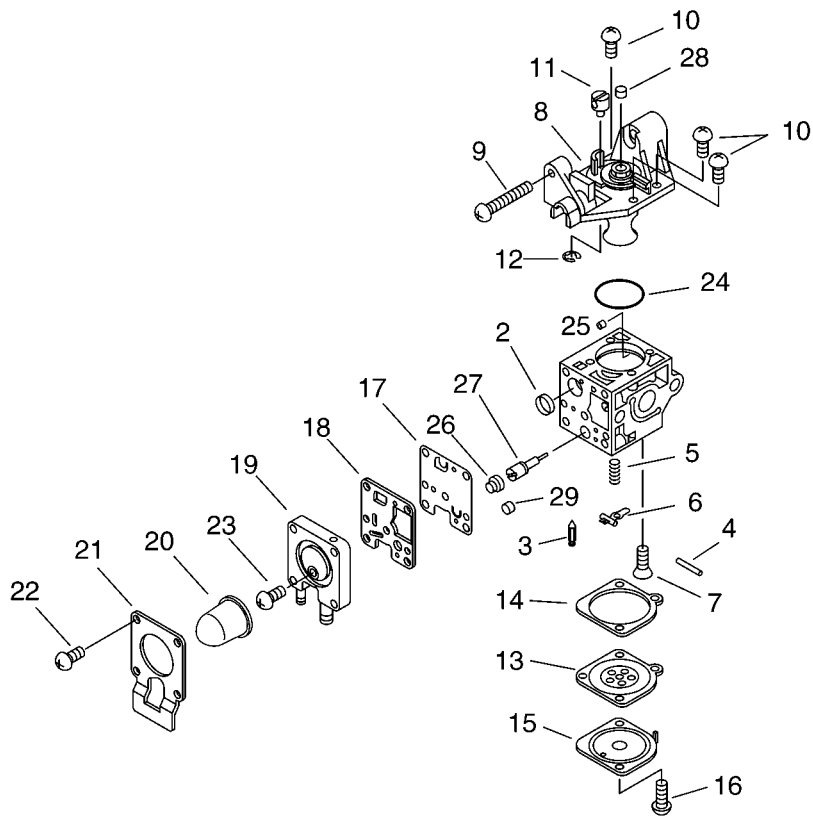
Fan Case, Blower Pipe



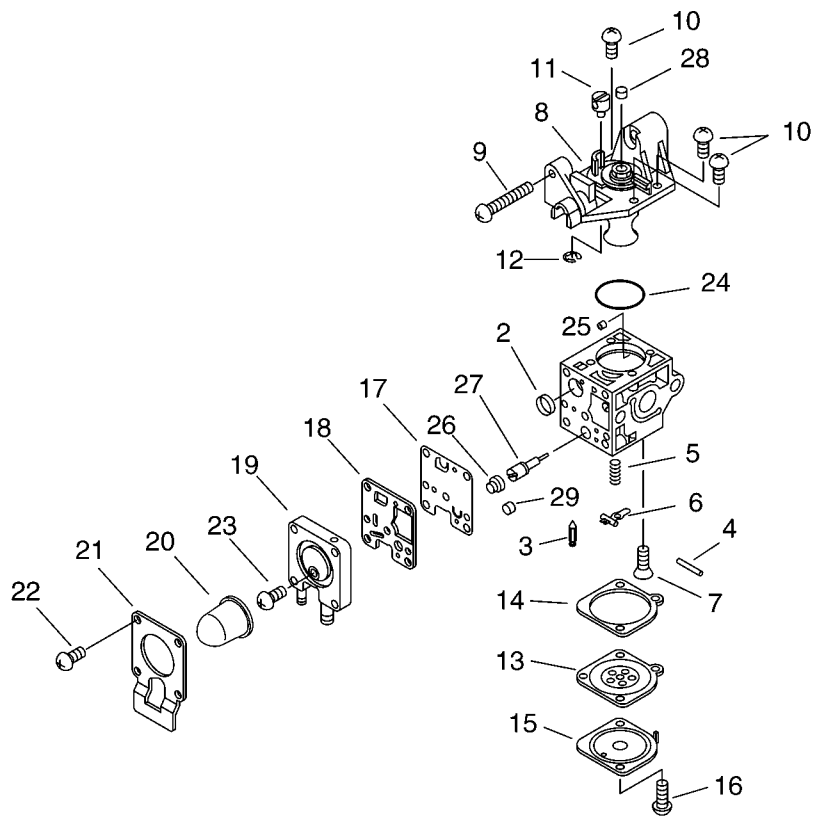
KEY	LV	PART NUMBER	Q'TY	DESCRIPTION	REMARKS
26		X413-000020	1	CUTTER,SHREDDER	
27		900603-00005	2	WASHER 5	
28		900562-50005	2	LOCKNUT 5	
29		V452-000370	1	SPRING,TORSION	
30		900256-04016	3	SCREW 4*16	
31		900720-00003	1	O-RING 3	
32		A045-000170	1	SWITCH, ON OFF	



KEY	LV	PART NUMBER	Q'TY	DESCRIPTION	REMARKS
33		E160-000120	1	PIPE,MAIN	
34		E180-000010	1	PIPE,SUCTION	
35		X503-008950	2	LABEL,MODEL	
36		X692-000021	1	BAG,DUST	



KEY	LV	PART NUMBER	Q'TY	DESCRIPTION	REMARKS
		A021-001350	1	CARBURETOR,DIAPHRAGM	
2		P005-000010	1	STRAINER	
3		125337-08260	1	VALVE, INLET NEEDLE	
4		125338-13930	1	PIN, METERING ARM	
5		P005-000940	1	SPRING, METER. LEVER	
6		125323-08260	1	ARM, VALVE	
7		125339-42030	1	SCREW	
8		P005-002000	1	COVER ASY, ROTOR	
9		P005-000100	1	SCREW,THROTTLEADJUST	
10		125344-13931	3	SCREW	
11		P005-001240	1	POST	
12		P005-000190	1	E-RING	
13		P005-001780	1	DIAPHRAGM	
14		P005-000200	1	GASKET, METERING	
15		125342-52130	1	COVER, DIAPHRAGM	
16		125344-52130	2	SCREW	
17		P005-000510	1	DIAPHRAGM, PUMP	
18		P005-000520	1	GASKET, PUMP	
19		P005-001890	1	BASE, ASY PRIMER	
20		125381-46730	1	PUMP, PRIMING	
21		P005-000250	1	RETAINER	
22		P005-001900	4	SCREW	
23		P005-000270	1	SCREW	
24		P005-000280	1	O-RING	



KEY	LV	PART NUMBER	Q'TY	DESCRIPTION	REMARKS
25		P005-001000	1	ROLLER, GUIDE	
26		P005-001250	1	RETAINER, PLUG BALL	
27		P005-001260	1	SCREW, MAINN MIXTURE	
28		P005-001270	1	PLUG, H AJUST SCREW	
29		P005-001270	1	PLUG, H AJUST SCREW	

KEY	LV	PART NUMBER	Q'TY	DESCRIPTION	REMARKS
		P005-001660	1	DIAPHRAGM/GASKET KIT	
A-13	+	P005-001780	1	DIAPHRAGM	
A-14	+	P005-000200	1	GASKET, METERING	
A-17	+	P005-000510	1	DIAPHRAGM, PUMP	
A-18	+	P005-000520	1	GASKET, PUMP	
		P005-001670	1	REBUILD KIT	
A-2	+	P005-000010	1	STRAINER	
A-3	+	125337-08260	1	VALVE, INLET NEEDLE	
A-4	+	125338-13930	1	PIN, METERING ARM	
A-5	+	P005-000940	1	SPRING, METER. LEVER	
A-6	+	125323-08260	1	ARM, VALVE	
A-13	+	P005-001780	1	DIAPHRAGM	
A-14	+	P005-000200	1	GASKET, METERING	
A-17	+	P005-000510	1	DIAPHRAGM, PUMP	
A-18	+	P005-000520	1	GASKET, PUMP	
A-25	+	P005-001000	1	ROLLER, GUIDE	

Index

Parts Number	Key No.	Parts Number	Key No.	Parts Number	Key No.
A011-000371	1 - 11	E165-000210	6 - 18	V263-000070	4 - 13
A021-001350	A -	E178-000050	6 - 19	V263-000070	5 - 15
A021-001350	3 - 10	E180-000010	6 - 34	V264-000050	3 - 12
A045-000170	6 - 32	P005-000010	A - 2	V299-000250	3 - 1
A051-001180	2 - 21	P005-000010	B - A2	V299-000290	6 - 22
A052-000200	2 - 17	P005-000100	A - 9	V420-001430	5 - 15
A101-000140	1 - 7	P005-000190	A - 12	V420-001440	2 - 32
A130-000780	1 - 3	P005-000200	A - 14	V431-000000	4 - 11
A160-000821	1 - 2	P005-000200	B - A14	V452-000370	6 - 29
A160-000830	3 - 17	P005-000250	A - 21	V471-001220	5 - 6
A200-000280	3 - 15	P005-000270	A - 23	V471-001860	5 - 10
A226-000350	3 - 5	P005-000280	A - 24	V475-003380	2 - 9
A226-000370	3 - 30	P005-000510	A - 17	V485-000370	4 - 22
A227-000000	3 - 31	P005-000510	B - A17	V485-000960	2 - 1
A232-000440	3 - 3	P005-000520	A - 18	V486-000110	4 - 16
A244-000070	3 - 7	P005-000520	B - A18	V486-000120	4 - 20
A300-000141	3 - 20	P005-000940	A - 5	V553-000010	1 - 12
A310-000070	3 - 21	P005-000940	B - A5	V583-000080	6 - 20
A313-000910	3 - 25	P005-001000	A - 25	V606-000000	1 - 8
A313-000920	3 - 26	P005-001000	B - A25	X413-000020	6 - 26
A350-000550	5 - 14	P005-001240	A - 11	X413-000030	6 - 25
A356-000030	5 - 4	P005-001250	A - 26	X502-000330	2 - 31
A409-000210	2 - 12	P005-001260	A - 27	X503-008950	6 - 35
A411-000290	2 - 11	P005-001270	A - 28	X505-002080	6 - 4
A425-000000	2 - 3	P005-001270	A - 29	X505-002310	4 - 14
A426-000010	2 - 4	P005-001660	B -	X506-000090	3 - 4
A427-000012	2 - 6	P005-001670	B -	X547-000870	6 - 3
A429-000010	2 - 5	P005-001780	A - 13	X692-000021	6 - 36
A440-001010	4 - 15	P005-001780	B - A13	100014-11520	1 - 10
A446-000000	6 - 23	P005-001890	A - 19	100015-04630	1 - 9
A473-000020	6 - 24	P005-001900	A - 22	100143-19830	6 - 8
C400-000490	4 - 12	P005-002000	A - 8	100212-42031	1 - 14
C410-000390	6 - 14	P021-008231	1 - 13	100215-03930	1 - 18
C410-000400	6 - 15	P021-010260	1 - 6	100242-42030	1 - 16
C411-000020	4 - 5	P021-010980	3 - 8	125323-08260	A - 6
C412-000150	4 - 19	P021-011200	3 - 28	125323-08260	B - A6
C450-000241	4 - 7	P021-013780	2 - 14	125337-08260	A - 3
C453-000260	4 - 3	P022-002100	2 - 18	125337-08260	B - A3
C454-000130	4 - 10	P022-006830	2 - 24	125338-13930	A - 4
C459-000010	3 - 18	P022-006850	2 - 20	125338-13930	B - A4
C480-000070	3 - 11	P022-008260	2 - 23	125339-42030	A - 7
E100-000063	6 - 9	P022-008270	2 - 30	125342-52130	A - 15
E101-000071	2 - 13	P022-008280	2 - 26	125344-13931	A - 10
E103-000490	6 - 6	V100-000190	1 - 5	125344-52130	A - 16
E103-000500	6 - 10	V103-000390	3 - 16	125381-46730	A - 20
E104-000090	6 - 1	V103-000400	3 - 13	130016-42031	3 - 9
E160-000120	6 - 33	V104-000820	3 - 19	131004-55530	5 - 1
E162-000000	6 - 12	V104-000830	3 - 24	131016-55830	5 - 2
E165-000190	6 - 17	V203-000190	3 - 23	131051-56030	5 - 3

Index

Parts Number	Key No.	Parts Number	Key No.	Parts Number	Key No.
131205-07320	5 - 13				
132010-49730	5 - 11				
132013-09820	5 - 5				
132115-01461	5 - 7				
132115-44330	5 - 12				
152115-05530	2 - 2				
156110-04920	2 - 7				
177220-42030	2 - 25				
177227-42030	2 - 29				
177228-27030	2 - 28				
177234-12220	2 - 19				
177236-61830	2 - 22				
177246-11120	2 - 27				
895410-06960	6 - 21				
900105-05060	3 - 6				
900105-08015	6 - 7				
900106-05008	1 - 1				
900106-05014	2 - 33				
900106-05014	3 - 29				
900162-04020	6 - 11				
900162-05025	1 - 4				
900162-05025	3 - 14				
900162-05028	1 - 15				
900163-04016	2 - 16				
900238-05025	4 - 1				
900253-04010	4 - 21				
900253-05020	4 - 9				
900253-05020	5 - 9				
900253-05020	6 - 5				
900253-05020	6 - 13				
900253-05020	6 - 16				
900253-05025	4 - 8				
900256-04016	6 - 30				
900562-50005	4 - 6				
900562-50005	6 - 28				
900602-00005	4 - 2				
900603-00005	3 - 22				
900603-00005	4 - 4				
900603-00005	5 - 8				
900603-00005	6 - 27				
900720-00003	6 - 31				
91113-04020	2 - 10				
91367-04010	3 - 27				
94035-36201	1 - 17				



KIORITZ CORPORATION

7-2 SUEHIROCHO 1-CHOME, OHME, TOKYO 198-8711, JAPAN
PHONE: 81-428-32-6118. FAX: 81-428-32-6145.

ECHO[®]

200709 No.64-117 (641098)